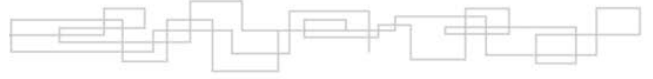


DATA SHEET: TEMBREAK 2 GS250-SJ MCCB

MCCB Electrical Characteristics to IEC 60947-2, EN 60947-2, JIS C 8201-2-1 ANN.1, NEMA AB-1

Frame Reference	Quantity	Unit	Condition	TB2 Lite 250
Max In (A) of Frame				250
Model				S250
Number of Poles				3, 4
Type				SJ
Nominal current ratings				
	In	(A)	50°C	160,200 250
Electrical characteristics				
Rated operational voltage	U _e	(V)	AC 50/60 Hz DC	690 250
Rated insulation voltage	U _i	(V)		800
Rated impulse voltage	U _{imp}	(kV)		8
Ultimate breaking capacity (IEC, JIS, AS/NZS)	I _{cu}	(kA)	690V AC	4
			525V AC	10
			440V AC	30
			400/415V AC	40
			220/240V AC	85
250V DC	25			
Service breaking capacity (IEC, JIS, AS/NZS)	I _{cs}	(kA)	690V AC	4
			525V AC	7.5
			440V AC	15
			400/415V AC	20
			220/240V AC	43
250V DC	13			
Rated breaking capacity (NEMA)		(kA)	480V AC 240VAC	25 85
Protection				
Fixed thermal, fixed magnetic				-
Adjustable thermal, adjustable magnetic				■
Utilisation category				A
Installation				
Front connection (FC)				■
Extension bar (FB)				•
Cable clamp (FW)				•
Rear connection (RC)				•
Plug-in (PM)				-
DIN rail mounting (DA)				-
Dimensions	height	(mm)		165
	width	(mm)	3 pole 4 pole	105 140
Weight	depth	(mm)		68
	weight	(kg)	3 pole 4 pole	1.5 1.9
Operation				
Direct Opening Action				■
Toggle operation				■
Door mounted (HS) / Breaker mounted handle (HB)				•
Motor operation				•
Endurance	Electrical Mechanical	cycles cycles	415V AC	6,000 18,000

■ Standard • Optional - Not Available

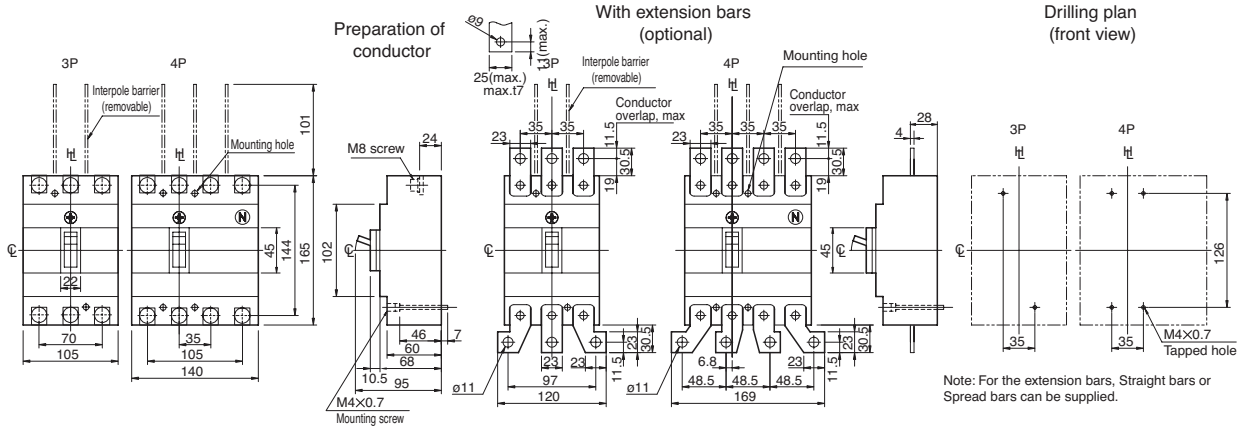


DATA SHEET: TEMBREAK 2 GS250-SJ MCCB

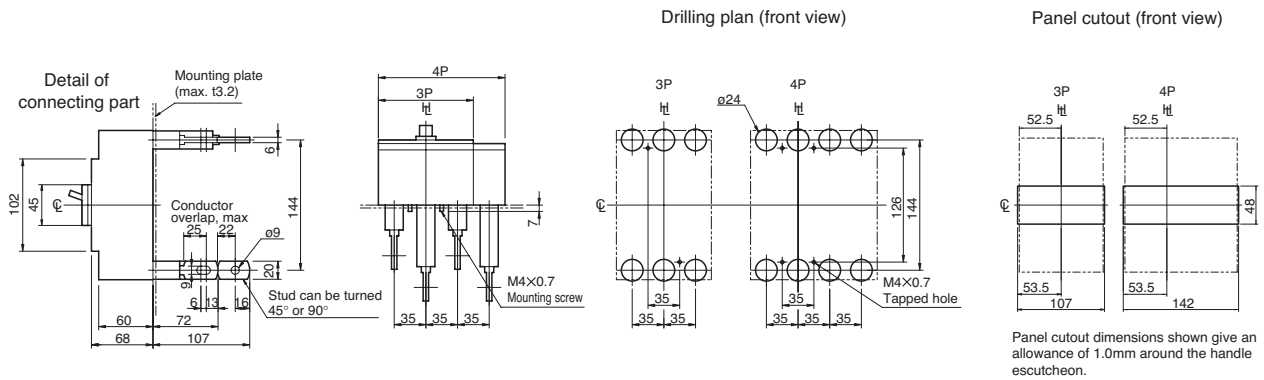
Outline Dimensions GS250-SJ

ASL: Arrangement Standard Line H_L: Handle Frame Centre Line

Front connected

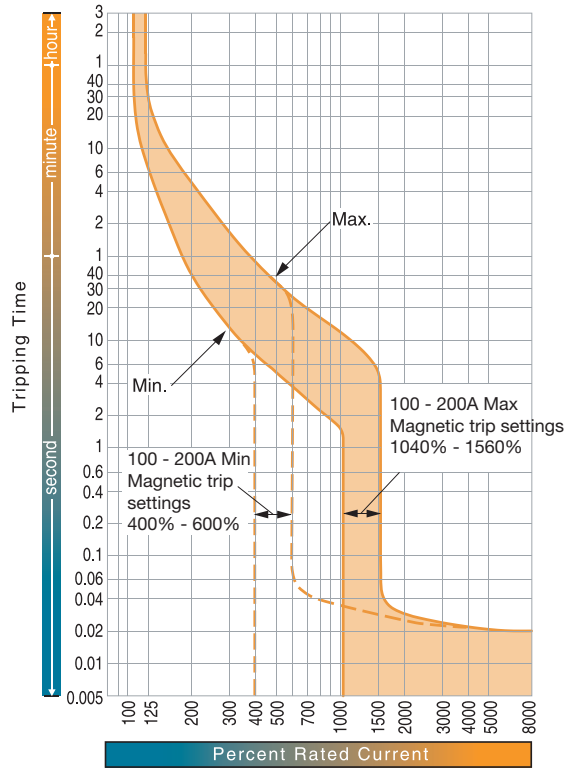


Rear connected

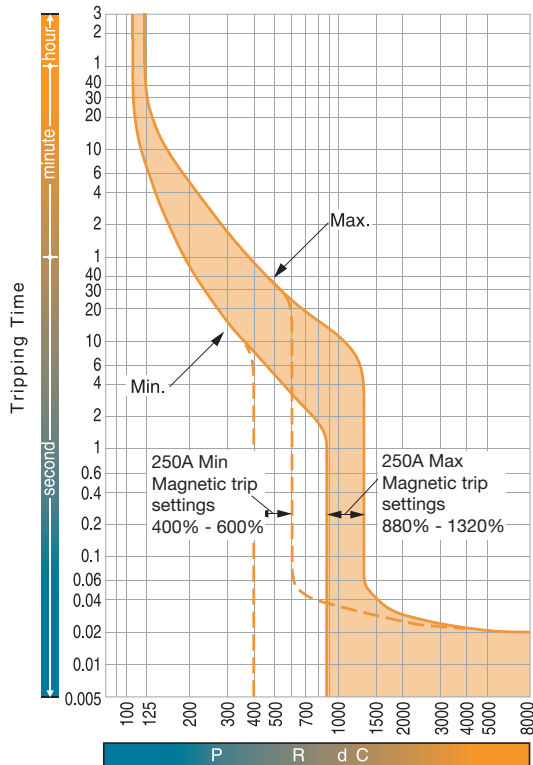


DATA SHEET: TEMBREAK 2 GS250-SJ MCCB

Time/Current Characteristic Curves
GS250-SJ (100 ~ 200A)



Time/Current
Characteristic Curves
GS250-SJ (250A)





Dokument/document Försäkran om överensstämmelse/ Declaration of conformity		Utgåva datum/edition date 2018-08-22
Avdelning/department Produkt/Product		
Ansvarig/prepared Robert Nydén	Version 5	Sida/page 1 av/of 1

Manufacturer/Tillverkare: GARO AB
Box 203
S-335 25 GNOSJÖ
Sweden

Telephone: +46 (0)370 33 28 00
Internet: www.garo.se

Agent established within EC/Ombud etablerad inom EG

Telephone:
Internet:

Agent of equipment/Materielslag: Moulded Case Circuit Breaker, MCCB/Effektbrytare, MCCB

Trade Mark/Varumärke: GARO

Type Designation/Typbeteckning: GS160SCJ , SJ ,GS400-NE, 3- and 4-pole, GS250-NE, 3- and 4-pole

We hereby declare that our product fulfils the requirements of following EC directives/

Vi intygar härmed att vår produkt uppfyller krav enligt följande EU direktiv:

- The Low Voltage Directive (LVD) 2014/35/EU / Lågspänningsdirektivet (LVD) 2014/35/EU.**
- Electromagnetic compatibility (EMC) 2014/30/EU / Elektromagnetisk kompatibilitet (EMC) 2014/30/EU.**
- Radio Equipment Directive 2014/53/EU (RED) 2014/30/EU / Radiodirektivet (RED) 2014/53/EU.**
- RoHS Directive (RoHS) 2011/65/EU / RoHS direktivet (RoHS) 2011/65/EU.**
- No electromagnetic compatibility (EMC 2014/30/EU) immunity or emission tests are required on the assembly /** Produkten innehåller inte elektroniska apparater som påverkas enligt förbehållen enligt direktivet (EMC) 2014/30/EU.

The following harmonised standards (latest edition) or technical specifications which comply with good engineering practice in safety matters in force within the EC have been used in the design:/

Följande harmoniserade standarder (senaste utgåva) eller tekniska specifikationer som uppfyller god säkerhetsteknik praxis inom EG har använts i konstruktionen: **EN 60947-1 and/och 60947-2**

- The equipment confirms completely with the above stated harmonised standards or technical specifications./** Materielen överensstämmer helt med ovan angivna harmoniserade standarder eller tekniska specifikationer.

Or/Eller

- The equipment confirms only partially with the above stated harmonised standards or technical specifications but complies with good practice in safety matters in force within the EC./** Materielen överensstämmer endast delvis med ovan angivna harmoniserade standarder eller tekniska specifikationer, men uppfyller god säkerhetsteknik praxis inom EG.

We have product surveillance according to CENELEC's harmonised requirements, documents CCA-201.

GARO AB
Company/Företag

2018-08-22
Date/Datum

Sign/Underskrift

Product Manager/Produktchef
Position/Befattning

Robert Nydén
Sign in printed letters/Namnförtydligande